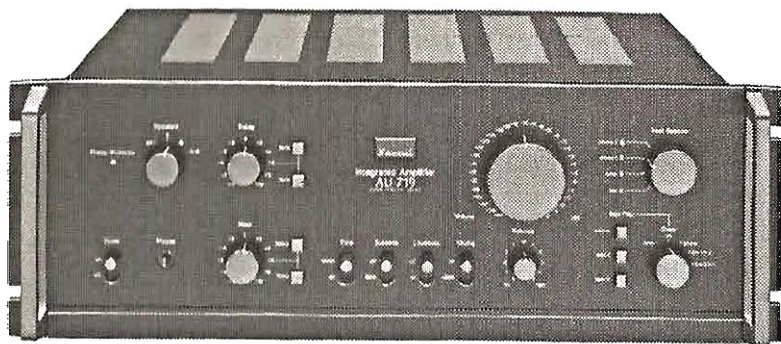


# AU-719

---

## OPERATING INSTRUCTIONS



• Read this manual before use.

*Sansui*

We are grateful for your choice of this Sansui high fidelity product. Before you operate it, we suggest that you read this booklet once through carefully, familiarizing yourself with the important precautions, operational procedures and every one of the product's many features. It will help to ensure that you will avoid possible damage and that the product's superb performance will be yours to enjoy for many years to come.

## Table of contents

Precautions . . . . .	4
Connections . . . . .	8
Panel information . . . . .	13
Operating procedures . . . . .	24
About rack mounting adaptors . . . . .	36
Specifications . . . . .	38

**WARNING: To prevent fire or shock hazard, do not expose this appliance to rain or moisture.**

- **The Model No. and Serial No. of your unit are shown on its back panel.**
- **Do not lose the Warranty Card that carries your unit's Model No. and Serial No.**

Nous sommes reconnaissants pour votre choix de ce produit Sansui d'une remarquable haute fidélité. Avant de commencer à vous en servir, nous vous recommandons de lire cette notice complètement et soigneusement, vous familiarisant ainsi avec les précautions importantes, les manœuvres de fonctionnement et chacune des nombreuses caractéristiques de l'appareil. Cela vous aidera à ne pas provoquer d'éventuels dommages et à vous permettre de profiter pendant de longues années des superbes performances de votre appareil.

## Table des matières

Précautions . . . . .	4
Connexions . . . . .	8
Indications sur le panneau . . . . .	13
Procédés de réglage . . . . .	24
Remarques concernant les adaptateurs de montage d'étagères . . . . .	36
Spécifications . . . . .	38

Wir möchten zu dieser Gelegenheit unseren Dank aussprechen, daß Sie sich für diesen HiFi-Baustein von Sansui entschieden haben. Bitte lesen Sie vor der Inbetriebnahme des Gerätes diese Anleitung sorgfältig durch, um sich mit den wichtigen Vorsichtsmaßnahmen, den Bedienungsvorgängen und den vielen hervorragenden Eigenschaften dieses Gerätes vollständig vertraut zu machen. Mögliche Beschädigungen können dadurch vermieden werden, so daß Sie das hervorragende Leistungsvermögen dieser Komponente für viele Jahre genießen können.

## Inhaltsverzeichnis

Vorsichtsmaßnahmen . . . . .	4
Anschlüsse . . . . .	8
Schalttafelinformation . . . . .	13
Bedienungsverfahren . . . . .	24
Zu den Haltekonsolen für die Regalmontage . . . . .	36
Technische Daten . . . . .	38

**ATTENTION: Pour éviter les dangers d'électrocution ou d'incendie, ne pas exposer cet appareil à la pluie ou à l'humidité.**

- Le numéro du modèle et le numéro de série de l'appareil sont inscrits sur son panneau arrière.
- Ne perdez pas la carte de garantie où est indiquée le numéro du modèle et le numéro dans la série du type de l'appareil.

**WARNUNG: Setzen Sie dieses Gerät zur Verhütung von Feuer- und Stromschlaggefahr weder Regen noch Feuchtigkeit aus.**

- Die Modell- und die Seriennummer Ihres Gerätes sind auf der Geräterückseite angegeben.
- Verlieren Sie bitte nicht den Garantieschein, auf dem die Modell- und die Seriennummer dieser Einheit angegeben sind.

## For the United Kingdom only

### Important

The wires in this mains lead are coloured in accordance with the following code:

**Blue: Neutral**  
**Brown: Live**

If the colours of the wires in the mains lead of this equipment should not correspond to the coloured markings identifying the terminals in your plug, proceed as follows:

The wire which is coloured **blue** must be connected to the terminal which is marked with the letter 'N' or coloured black.

The wire which is coloured **brown** must be connected to the terminal which is marked with the letter 'L' or coloured red.

Ensure that your equipment is connected correctly. If you are in any doubt, consult a qualified electrician.

For equipment purchased outside the U.K. with a "EUROPEAN" two-pin mains plug, the plug should be removed and connections made in accordance with the above instructions. Ensure also that the equipment is properly adjusted to 240 volts operation. If you are in any doubt, consult a qualified electrician, or our Service Agent in the U.K.

## Precautions

### Installation

- \* Never install the unit in dusty or humid locations, or in close proximity to heating appliances. Also, do not place it near a flower basin or fish bowl, for accidental spillover may cause fire, electrical shock and/or breakdown.
- \* Keep the unit away from TV sets to avoid buzz noise.
- \* When mounting the unit on a shelf, be sure that its supports are solidly fixed.
- \* Do not remove the cabinet cover or bottom board of the unit.

### Ventilation

- \* Install the unit where there is a good circulation of air.
- \* Do not obstruct the ventilation opening of the cabinet.

### Connection

- \* When connecting or re-locating the unit, be sure to turn the power off or disconnect the power cable.
- \* Be sure not to confuse the right channel with the left, plus cables with minus or inputs with outputs. Check each step carefully.
- \* Use connection cords of dependable quality. Check that connections are secure and that leads of connection are not frayed or in contact with other objects. Poor connection may cause hum noise or breakdown.

# Précautions

## Installation

- \* Ne placez jamais l'appareil dans un endroit poussiéreux ou humide, ou à proximité immédiate d'appareils de chauffage. De même, éviter la proximité de bacs à fleurs ou d'aquariums, car une projection accidentelle d'eau peut être la cause de feu, de court-circuits violents et/ou d'une panne de l'appareil.
- \* Ne pas placer l'appareil près d'un poste de télévision pour éviter les grésillements.
- \* Si vous installez l'appareil sur une étagère, s'assurer que les supports en soient bien fixés.
- \* N'enlevez pas le couvercle anti-poussière ni le panneau de fond de l'appareil.

## Ventilation

- \* Installer l'appareil dans un endroit bien ventilé.
- \* Ne pas obstruer les ouvertures de ventilation du coffret.

## Connexion

- \* Quand vous branchez l'appareil ou si vous l'installez dans un nouvel endroit, assurez-vous de couper l'alimentation ou de déconnecter le câble d'alimentation.
- \* S'assurer de ne pas confondre le canal droit avec le canal gauche, les câbles de polarité positive et ceux de polarité négative et les entrées et les sorties. Contrôler chaque étape soigneusement.
- \* Utiliser des fils de connexion de bonne qualité. S'assurer que les connexions soient parfaites et que les têtes dénudées des fils ne soient pas cisailées ou en contact avec d'autres objets. De mauvaises connexions peuvent être la cause de grondements ou même d'une panne de l'appareil.

# Vorsichtsmaßnahmen

## Installierung

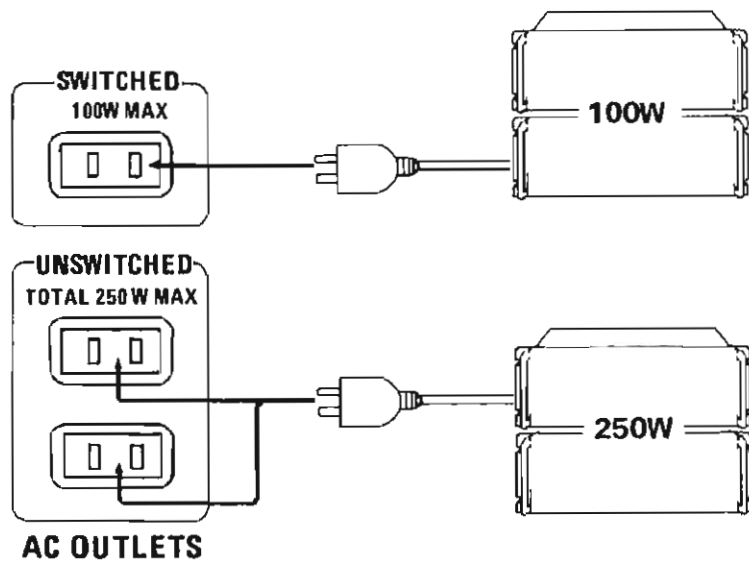
- \* Dieses Gerät niemals an Orten mit großer Staubentwicklung oder hoher Feuchtigkeit aufstellen; die Nähe von Heizkörpern vermeiden. Auch darauf achten, daß dieses Gerät nicht in der Nähe von Blumentöpfen, Aquarien usw. aufgestellt wird, da es ansonsten durch verschüttetes Wasser zu elektrischen Schlägen, Feuergefahr und/oder Beschädigung kommen könnte.
- \* Dieses Gerät möglichst entfernt von Fernsehgeräten aufstellen, um induziertes Brummen zu vermeiden.
- \* Wird dieses Gerät in Regalen eingebaut, darauf achten, daß deren Festigkeit ausreicht, um das Gewicht abzustützen.
- \* Niemals den Gehäusedeckel oder die Bodenabdeckung des Gerätes abnehmen.

## Ventilation

- \* Stellen Sie das Gerät an einem Platz mit guter Luftzirkulation auf.
- \* Verdecken Sie die Ventilationsöffnungen des Gerätes nicht.

## Anschlüsse

- \* Zum Anschließen bzw. wenn der Aufstellungsort dieses Gerätes geändert wird, unbedingt den Netzschalter ausschalten und das Netzkabel abziehen.
- \* Nicht den rechten Kanal mit dem linken, positive mit negativen Kabeln bzw. Eingänge mit Ausgängen verwechseln. Nach dem Anschließen unbedingt jede einzelne Komponente überprüfen.
- \* Nur Verbindungskabel hoher Qualität benutzen. Auf richtigen Anschluß achten und überprüfen, daß die Kabel nicht beschädigt sind bzw. Kurzschluß verursachen. Falscher Anschluß kann zu Brumm führen oder das Gerät beschädigen.



## AC outlets

Of the three AC outlets provided on the rear panel, the one, marked "SWITCHED," is controlled by the front-panel POWER switch. It is convenient to use it to power a program source component such as your turntable, etc.

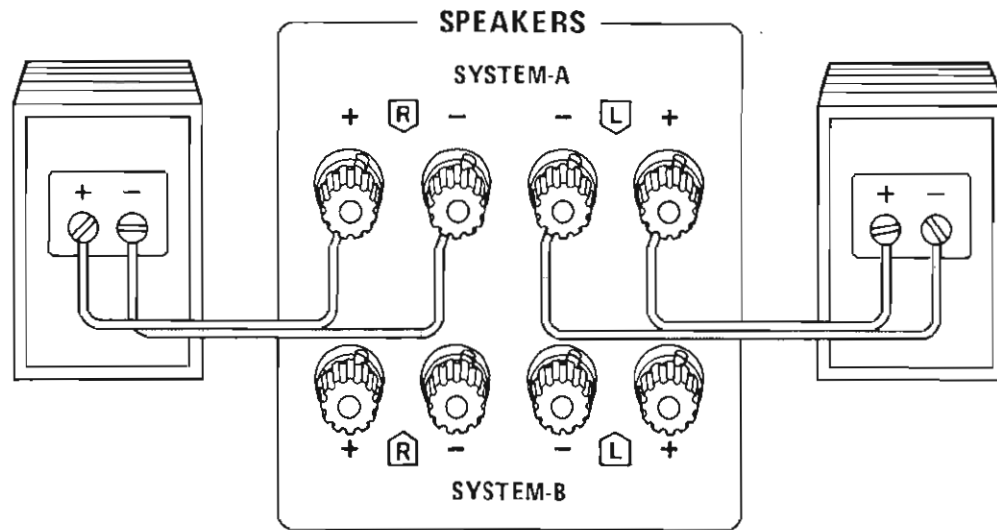
The other two AC outlet, marked "UNSWITCHED," are not controlled by the unit's POWER switch; so long as the unit is connected to a wall outlet, the connected components are also powered.

The "SWITCHED" and "UNSWITCHED" outlets have a capacity of 100 watts and 250 watts respectively. Do not connect any component whose power consumption exceeds the capacity of each outlet, as it is extremely dangerous. The power consumption rating is usually listed in the specification chart of the component, or sometimes on the equipment itself; be sure to check the rating.

- In case you have connected a component to one of the unit's AC outlets and then another component to the first component's AC outlet, be sure to add the second component's rated power consumption to the consumption of the components connected to the unit itself.

NOTE: No AC outlet is provided on units sold in some areas owing to local laws and regulations.

## Connections

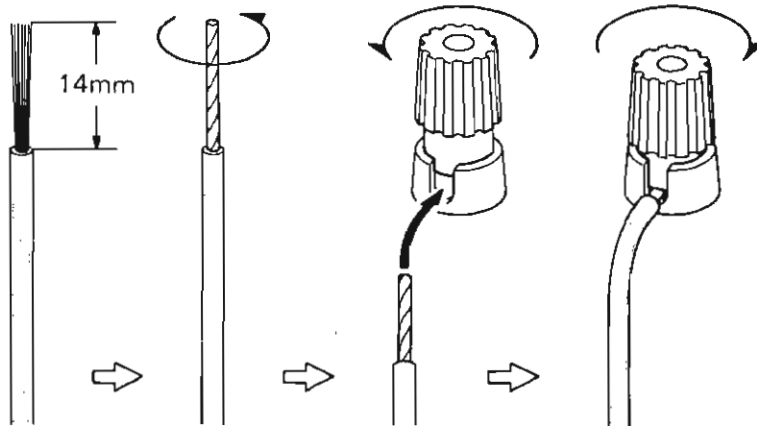


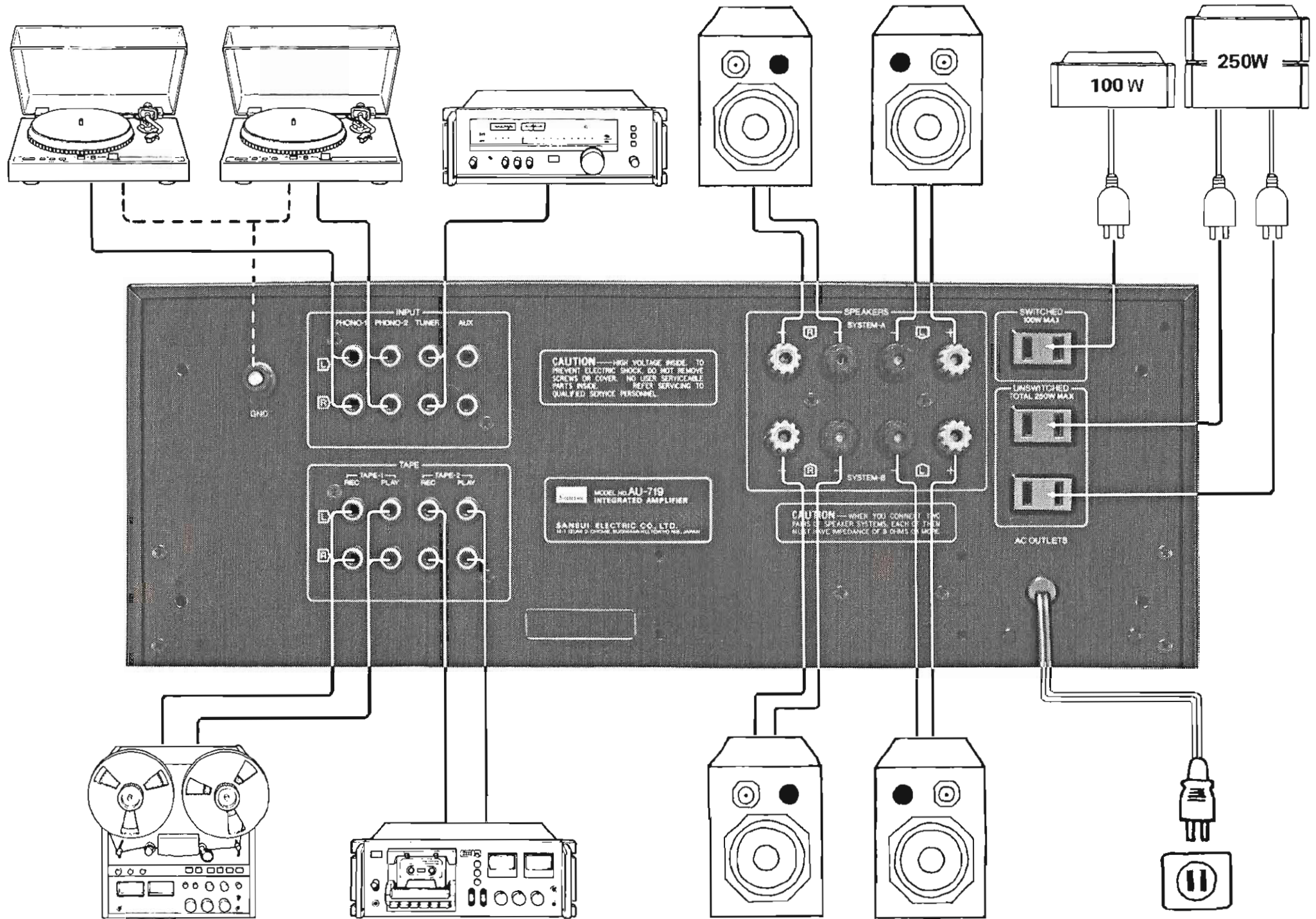
- \* When connecting or re-locating the unit, be sure to turn the power off or disconnect the power cable.
- \* Be sure not to confuse the right channel with the left, plus cables with minus or inputs with outputs. Check each step carefully.
- \* Use connection cords of dependable quality. Check that connections are secure and that connecting leads are not frayed or in contact with other objects. Poor connection may cause hum noise or breakdown.

### Speaker systems

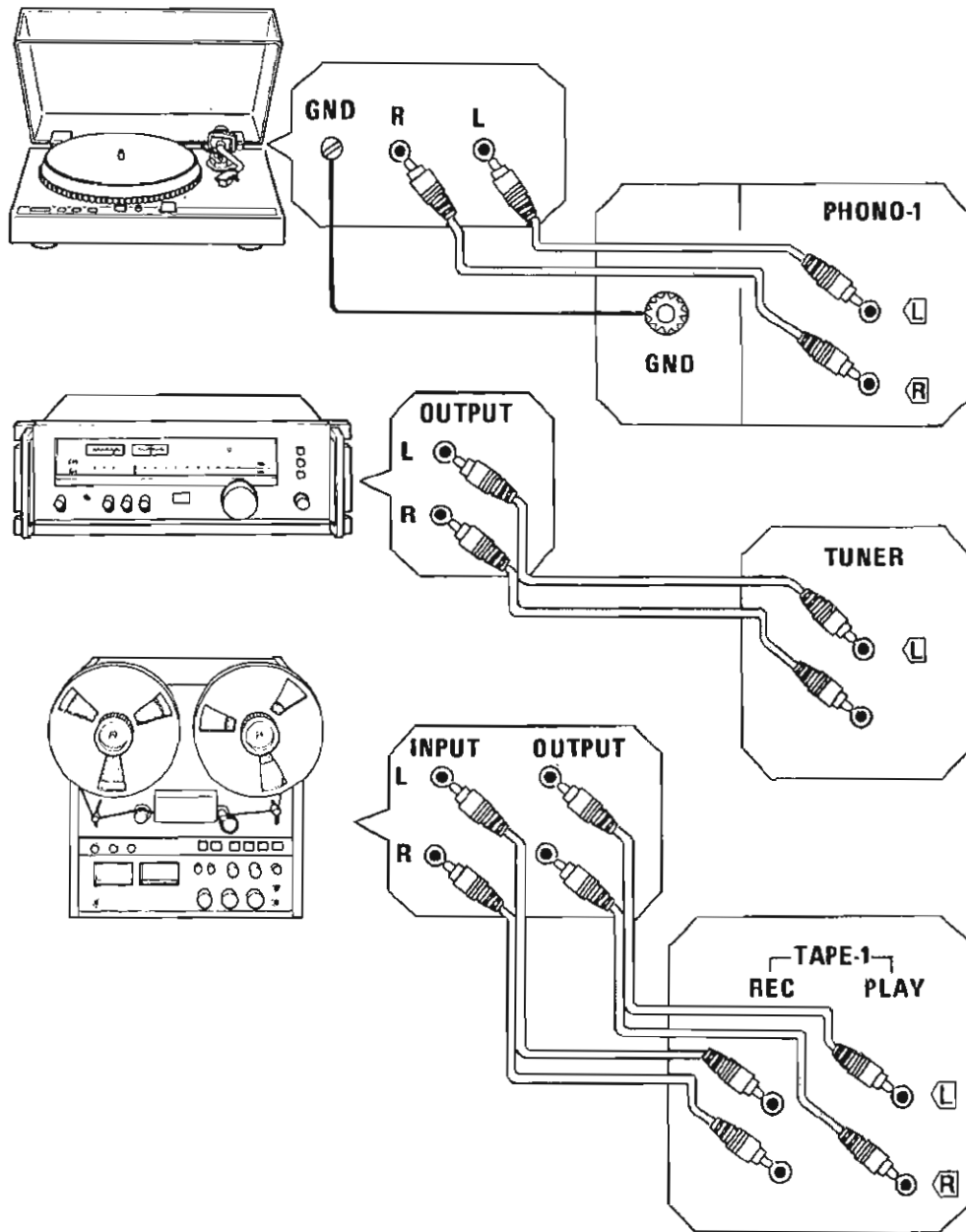
To SPEAKERS SYSTEM-A or B terminals, connect speaker cords taking care not to confuse the right channel with the left, the plus polarity with the minus.

- Be sure that exposed leads are firmly secured to the terminals.
- Be sure to make correct connections referring to the operating instructions for the speaker system.









## Turntable

Connect your turntable to the PHONO terminals. If your turntable is equipped with a grounding cable, connect it to the unit's GND terminal. But disconnect it if you notice increased hum.

- If your turntable has a crystal or ceramic cartridge, connect it to AUX inputs, not PHONO inputs. "AUX" means auxiliary, and the AUX inputs have the same electrical function as the TAPE PLAY inputs. They therefore connect a tape deck, an adaptor for special cartridges, and other equipment that has about the same output level as the afore-mentioned components.

## Tuner

Connect the output terminals of a tuner to the TUNER input terminals on the rear panel.

## Tape deck

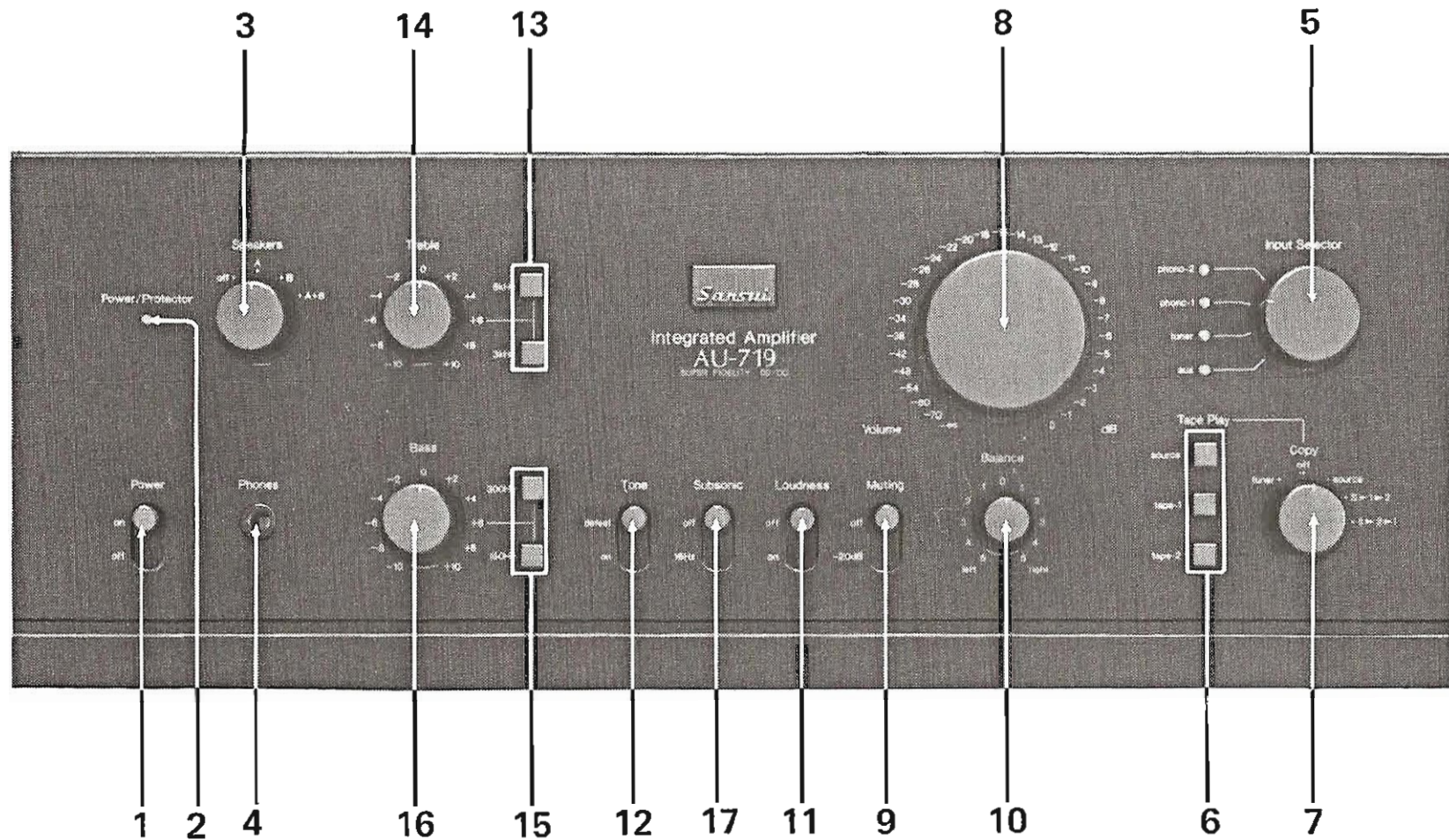
You can connect up to two tape decks to the unit. Connect the unit's TAPE REC terminals to the line input terminals of your tape deck, and the unit's TAPE PLAY terminals to the output terminals of the deck.

\* Instructions and requirements indicated may vary to some extent depending on sales area, local laws and regulations.

- This page folds out for use as reference while reading the rest of the booklet.

- Cette page se plie à l'extérieur pour l'utiliser comme référence tout en lisant le reste de la notice.

- Bitte klappen Sie diese Seite heraus, wenn Sie den Rest dieser Anleitung durchlesen.

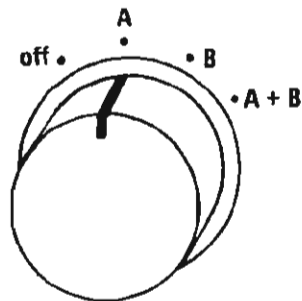


# Panel information

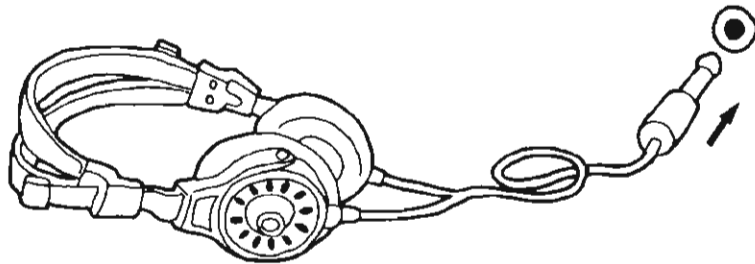
**Power**



**Speakers**



**Phones**



## 1 POWER Switch

## 2 POWER/PROTECTOR Indicator

When the POWER switch is turned on and power supplied to the unit, the indicator will flash on and off. In several seconds, the indicator will stay lit, indicating the unit is ready to operate to its full capacity. Also, whenever the protection circuit in the unit is activated, the indicator will flash to notify you of an abnormal condition inside the unit. When you notice this, shut off the POWER switch immediately and eliminate the cause (such as a short-circuit of the speaker terminals), then turn the POWER switch on again.

## 3 SPEAKERS Switch

The SPEAKERS switch selects the speaker systems you want to hear.

**OFF:** To cut off the source from the speaker systems when listening with headphones.

**A:** To drive the speaker systems connected to the rear-panel SPEAKERS SYSTEM-A terminals.

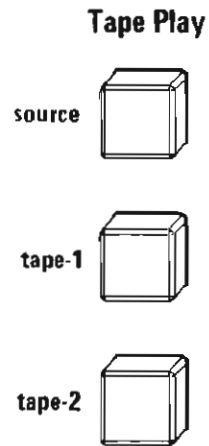
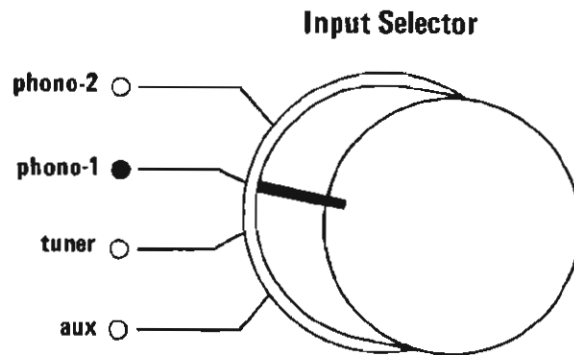
**B:** To drive those connected to the SYSTEM-B terminals.

**A + B:** To drive both A and B pairs of speaker systems.

## 4 PHONES Jack

When you want to listen through a headphone set privately, insert its plug into the PHONES jack and turn the SPEAKERS switch off.

- Be sure to disconnect the phones from the jack when not in use.



## 5 INPUT SELECTOR Switch

Use this switch when listening to records and broadcasts.

**PHONO-2:** For playing disc records on a turntable connected to PHONO-2 terminals.

**PHONO-1:** For playing disc records on a turntable connected to PHONO-1 terminals.

**TUNER:** To hear radio broadcasts through a connected tuner.

**AUX:** To hear components connected to the AUX terminals.

## 6 TAPE PLAY Switches

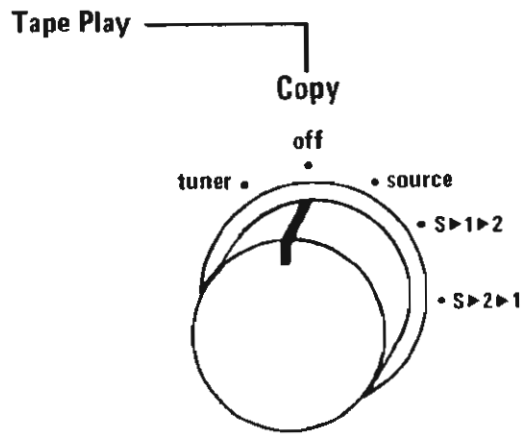
Push one when wanting to hear a tape or monitor a recording. The switches are mutually exclusive.

**SOURCE:** Operate (push) this switch when hearing records and radio programs but not tapes.

**TAPE-1:** Push this switch when hearing tapes played on a tape deck connected to the rear-panel TAPE-1 PLAY terminals.

**TAPE-2:** Push this switch when hearing tapes on another deck connected to the TAPE-2 PLAY terminals.

- Keep the SOURCE switch depressed unless you want to hear tapes; so long as either the TAPE-1 or TAPE-2 switch is depressed, you do not hear records or radio broadcasts from speakers.



## 7 TAPE COPY Switch

Operate this switch when recording or dubbing tapes. The switch should be at the OFF position unless you want to record or dub tapes.

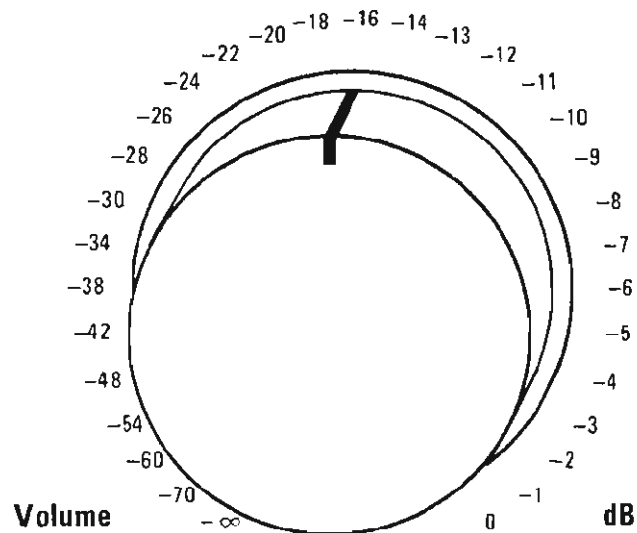
**TUNER:** Use this position when recording off the air from the connected tuner. Signals from the tuner are sent to both connected tape decks. Remember that recording off the air may be undertaken regardless of the position of the INPUT SELECTOR switch.

**OFF:** Use this position when you do not record or dub. The tape recording circuits (TAPE REC terminals) of the unit are electrically disconnected from the connected tape decks to avoid electrical interaction.

**SOURCE:** Use this position when recording records and radio programs. Signals from the component selected by the INPUT SELECTOR switch are sent to both connected tape decks.

**S ▶ 1 ▶ 2:** Use this position when dubbing a program source to the TAPE-1 connected tape deck and/or from the TAPE-1 to TAPE-2 connected tape deck.

**S ▶ 2 ▶ 1:** Use this position when dubbing a program source to the TAPE-2 connected tape deck and/or from the TAPE-2 to TAPE-1 connected tape deck.



## 8 VOLUME Control

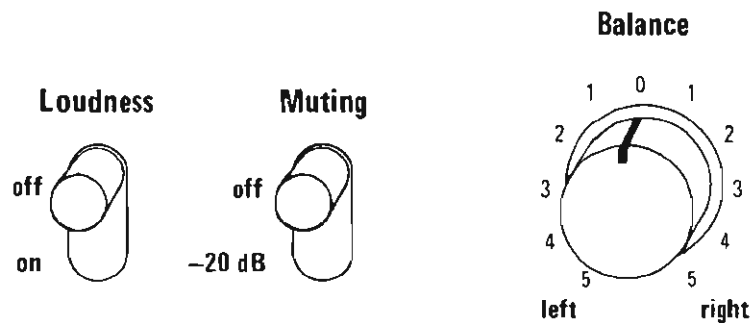
It adjusts the output level (volume) of your audio system. The more to the right it is turned, the greater the volume.

## 9 MUTING Switch

With this switch, you can reduce the volume by 20 dB instantly. It is most convenient when you reduce the volume temporarily on such occasions as when you answer a phone call or place a stylus on the record surface. Adjustment of the volume of very low sounds is easily carried out by adjusting the VOLUME control after the MUTING switch has been set the “-20 dB” position.

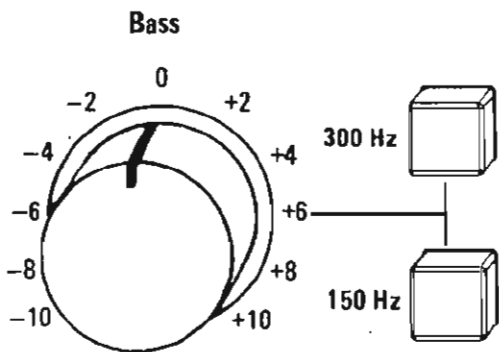
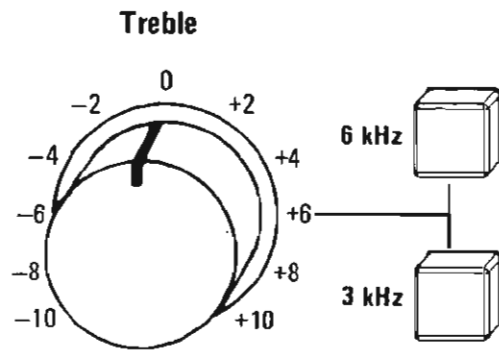
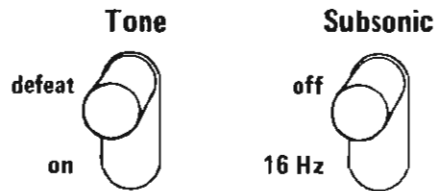
## 10 BALANCE Control

The volume of the left and right speakers can be adjusted by the BALANCE control. As the control is turned counterclockwise from the center position, the sound from the left speaker becomes louder than that from the right speaker, and vice versa. Adjust so that the sounds from the left and right speakers are heard with equal volume at your listening position.



## 11 LOUDNESS Switch

The human ear becomes insensitive to the lows and highs as sound volume is reduced. So you may feel a loss of highs and lows (especially lows) when listening at a low-volume level. The loudness circuit accents the highs and lows properly to render the reproduced sound more realistic. Setting the LOUDNESS switch to the ON position accents both the highs and lows.



## 12 TONE Switch

When you set it to the DEFEAT position, sound will be reproduced without signals going through the tone control circuit. Use the ON position when you want to control tonal response with the tone selectors and tone controls.

## 13 TREBLE Tone Selectors

### 14 TREBLE Tone Control

Use the TREBLE tone selectors and control to adjust the treble or high-frequency response of instruments such as cymbals. The TREBLE tone selectors select the frequency above that to which the TREBLE tone control has been adjusted; use one of the two positions (6 kHz or 3 kHz).

## 15 BASS Tone Selectors

### 16 BASS Tone Control

Use the BASS tone selectors and control to adjust the bass or low-frequency response of such an instrument as a bass. The BASS tone selector select the frequency below that to which the BASS tone control has been adjusted; use one of the two positions (300 Hz or 150 Hz).

## 17 SUBSONIC Filter Switch

Superlow-frequency noise, caused by warped or off-centered records, forces the moving structure of a woofer to work excessively; such abnormal excursion generates distortion. This filter cuts such superlow-frequency noise below 16 Hz and improves bass response.

# Operating procedures

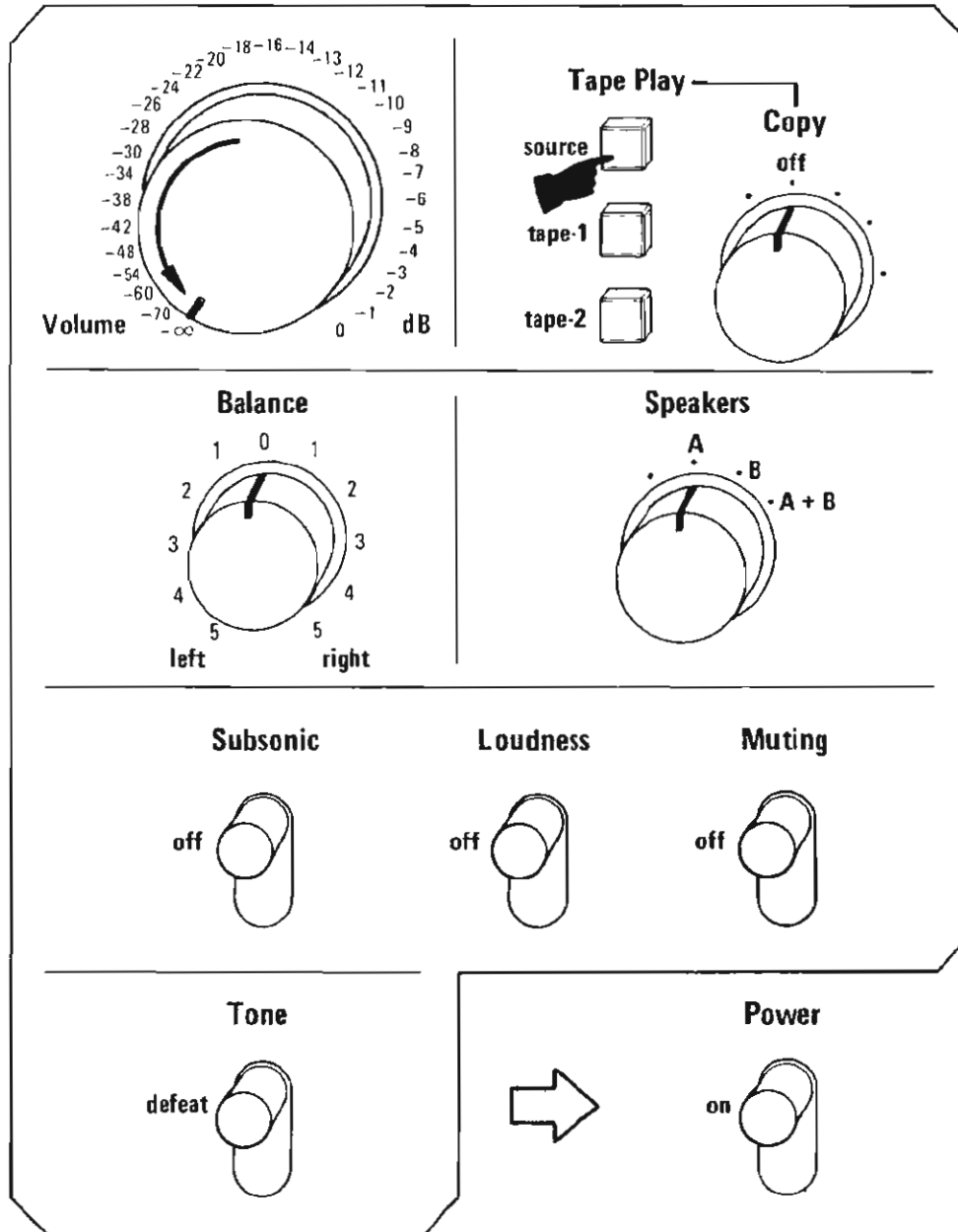
## Before turning the unit on

Before turning the unit on, see that all controls and switches are properly adjusted as recommended, especially the VOLUME control.

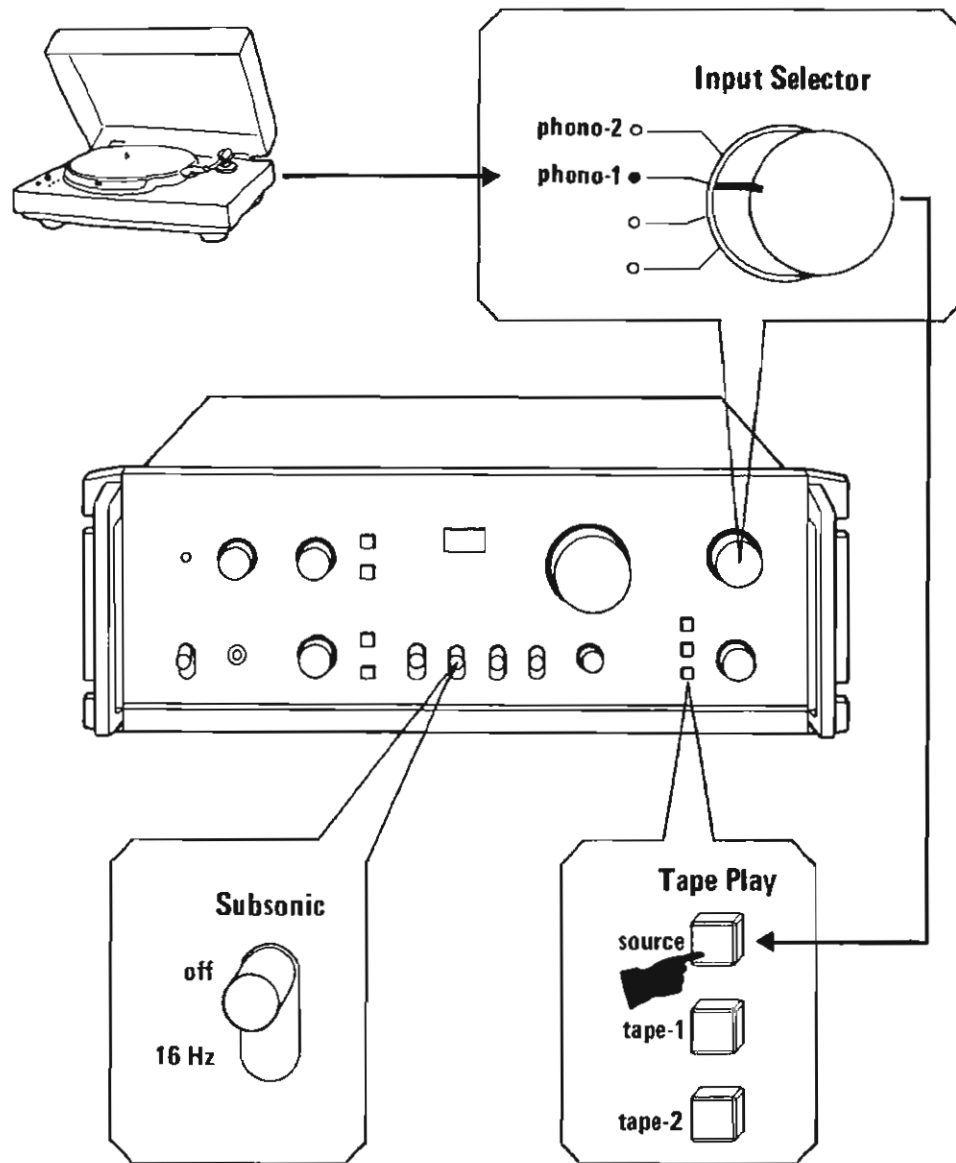
1. Turn the VOLUME control fully to the left where " $-\infty$ " is indicated. Volume will then be minimum.
2. Set the TAPE COPY switch to OFF and push the TAPE PLAY "SOURCE" switch.
3. Set the SPEAKERS switch to A, B or A + B position as appropriate.
4. Set the BALANCE control to its center position.
5. Set the LOUDNESS, MUTING and SUBSONIC switches to OFF.
6. Set the TONE switch to DEFEAT.
7. Set the POWER switch to ON.

- For several seconds after power-on, signals are not sent to speakers; do not mistake this phenomenon for a breakdown.

For several seconds after the POWER switch is turned on, the indicator will flash on and off and no sound will come out of your speaker systems. You'll hear sound when the unit becomes electrically stable and the indicator stays lit.





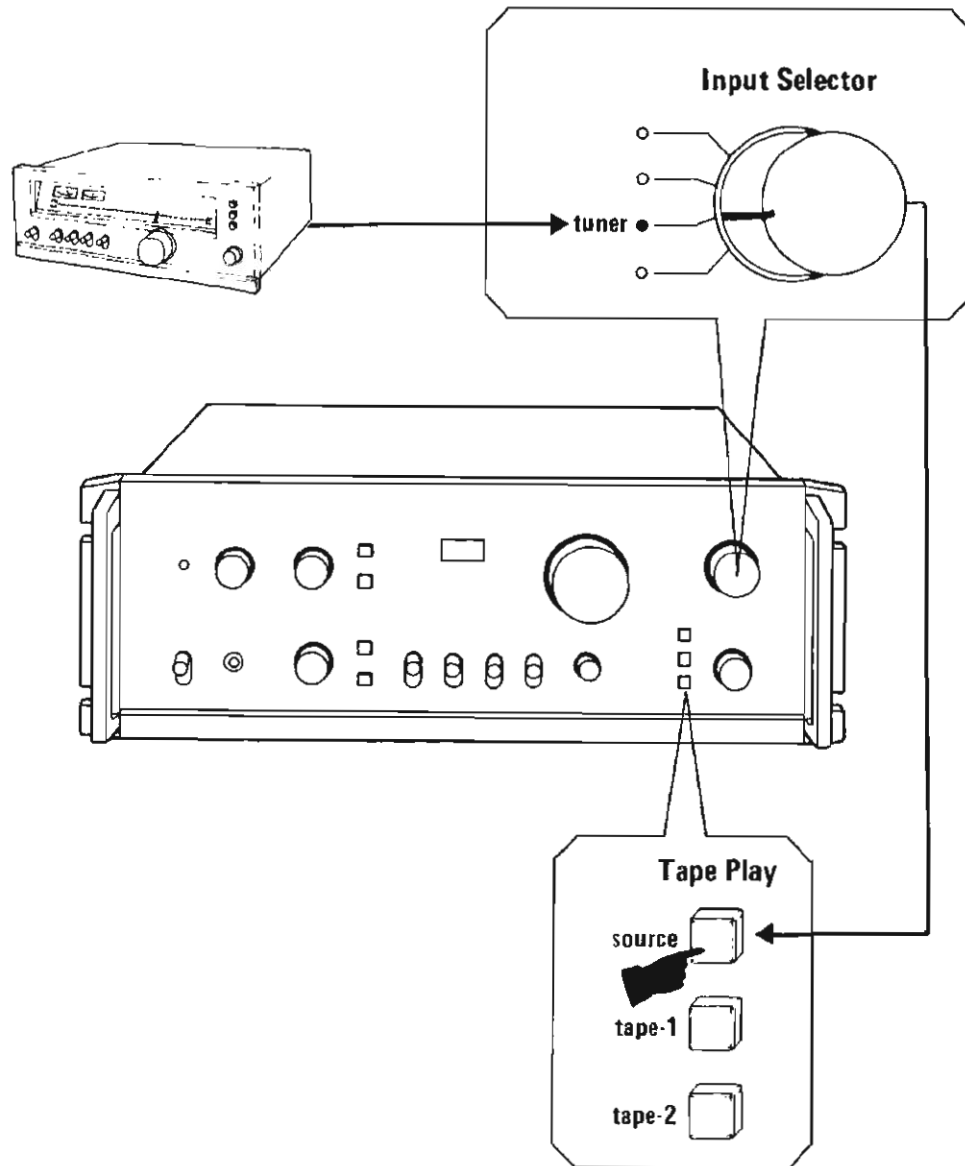


## Listening to records

1. Be sure to turn the VOLUME control fully counterclockwise before operating any of the switches on the unit.
2. Turn the INPUT SELECTOR switch to PHONO-1 or PHONO-2, whichever is applicable for the turntable you wish to use.
3. Operate your turntable to play the records.
4. Adjust volume, balance and tone to your liking with controls and switches on your unit.

## Poor-quality record reproduction

- \* Superlow-frequency noise, caused by warped or off-centered records, forces the moving structure of a woofer to work excessively; such abnormal excursion generates distortion. To prevent such noise, set the SUBSONIC switch to the 16 Hz position.
- \* When you hear hum continuously, check the grounding of your turntable.
- \* You may hear howling or acoustic feedback, caused when the pickup of your turntable is affected by the vibrating sound waves from the speakers, and undesired signals are amplified. To avoid howling, move the turntable away from the speakers or install the turntable on a solid, non-resonating stand.
- \* When you hear the irritating noise during record playback, it is suggested that you check if there is dust accumulated on the surface of the record and on stylus tip. The cause may be a worn stylus tip. When you use a record cleaner, be sure to always use one of high quality.

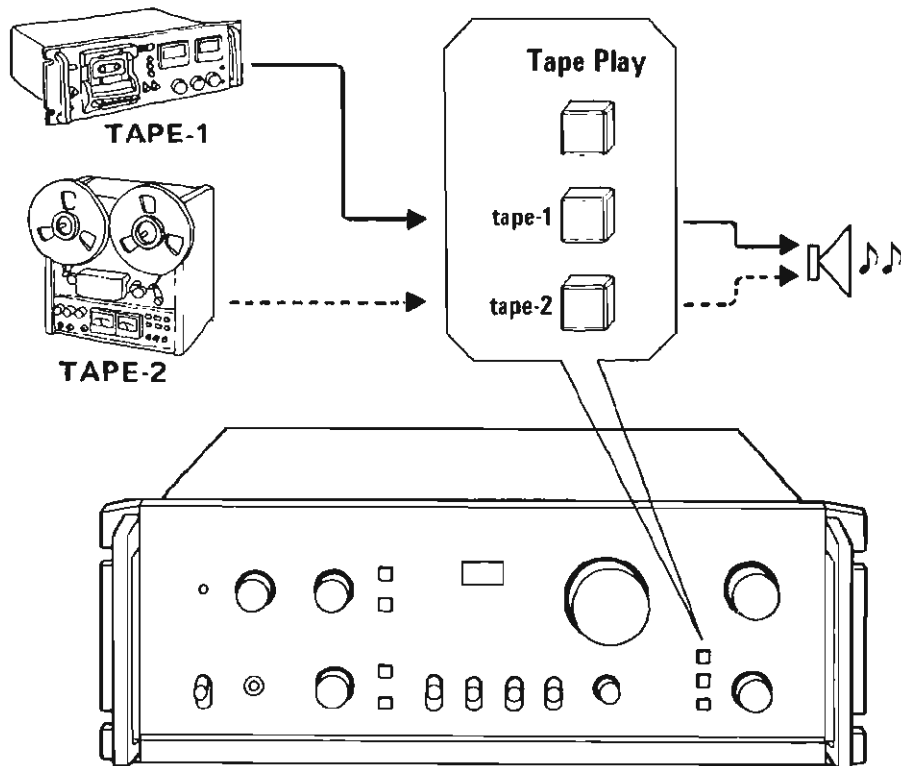


## Listening to radio broadcasts

1. Be sure to turn the VOLUME control fully counterclockwise before operating any of the switches on the unit.
2. Set the INPUT SELECTOR switch to TUNER.
3. Control the tuner and tune in the desired station.
4. Adjust volume, balance and tone to your liking with controls and switches on your unit.

## Noise during radio reception

- \* Weak FM signals are often disturbed by ignition noise from nearby automobiles and other noise. Therefore, for better FM reception, installation of an outdoor FM antenna is suggested. For antenna connection, be sure to use a coaxial cable, not a twin lead type.
- \* When you hear noise during AM reception, there are innumerable conceivable causes, which makes it almost impossible to eliminate all AM noises. Use the unit's TREBLE control when grounding the unit or mounting a noise-eliminating device fails to reduce such noise.

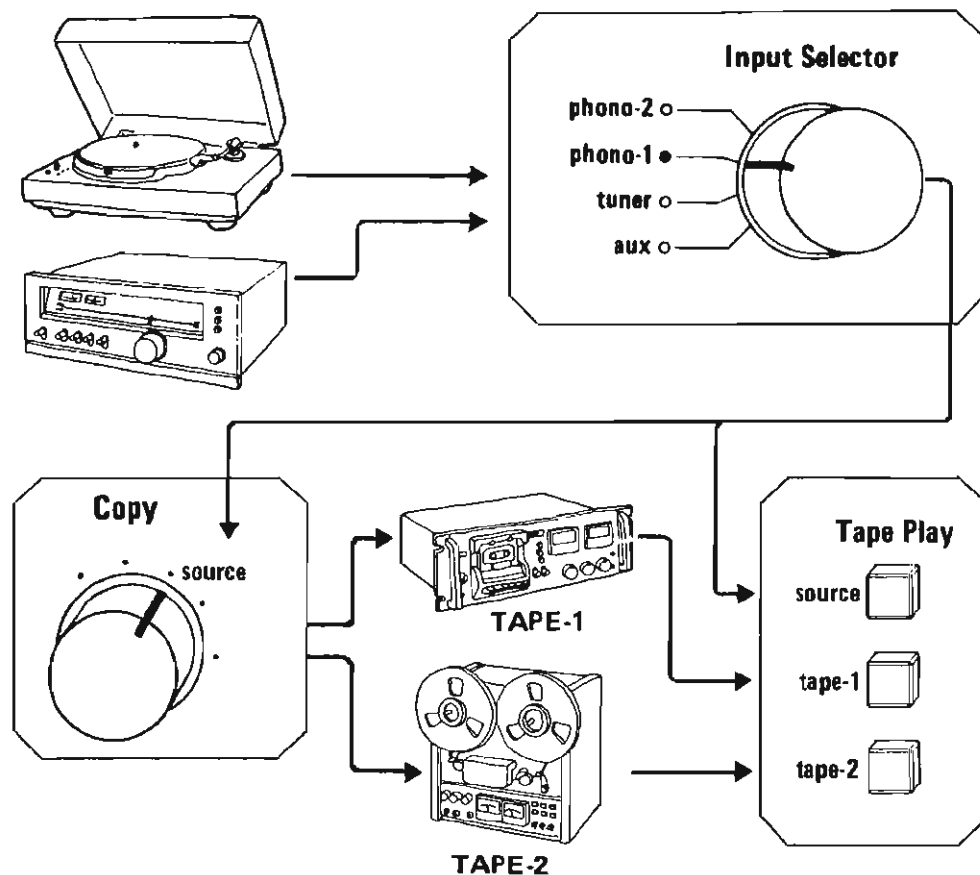


## Playback of tapes

1. Be sure to turn the VOLUME control fully counterclockwise before operating any of the switches on the unit.
2. Push the TAPE PLAY "TAPE-1" or "TAPE-2" switch, whichever is applicable for the tape deck you wish to use.
3. Operate the tape deck to start playback.
4. Adjust volume, balance and tone to your liking with controls and switches on your unit.

### Suggestions for high-quality tape playback

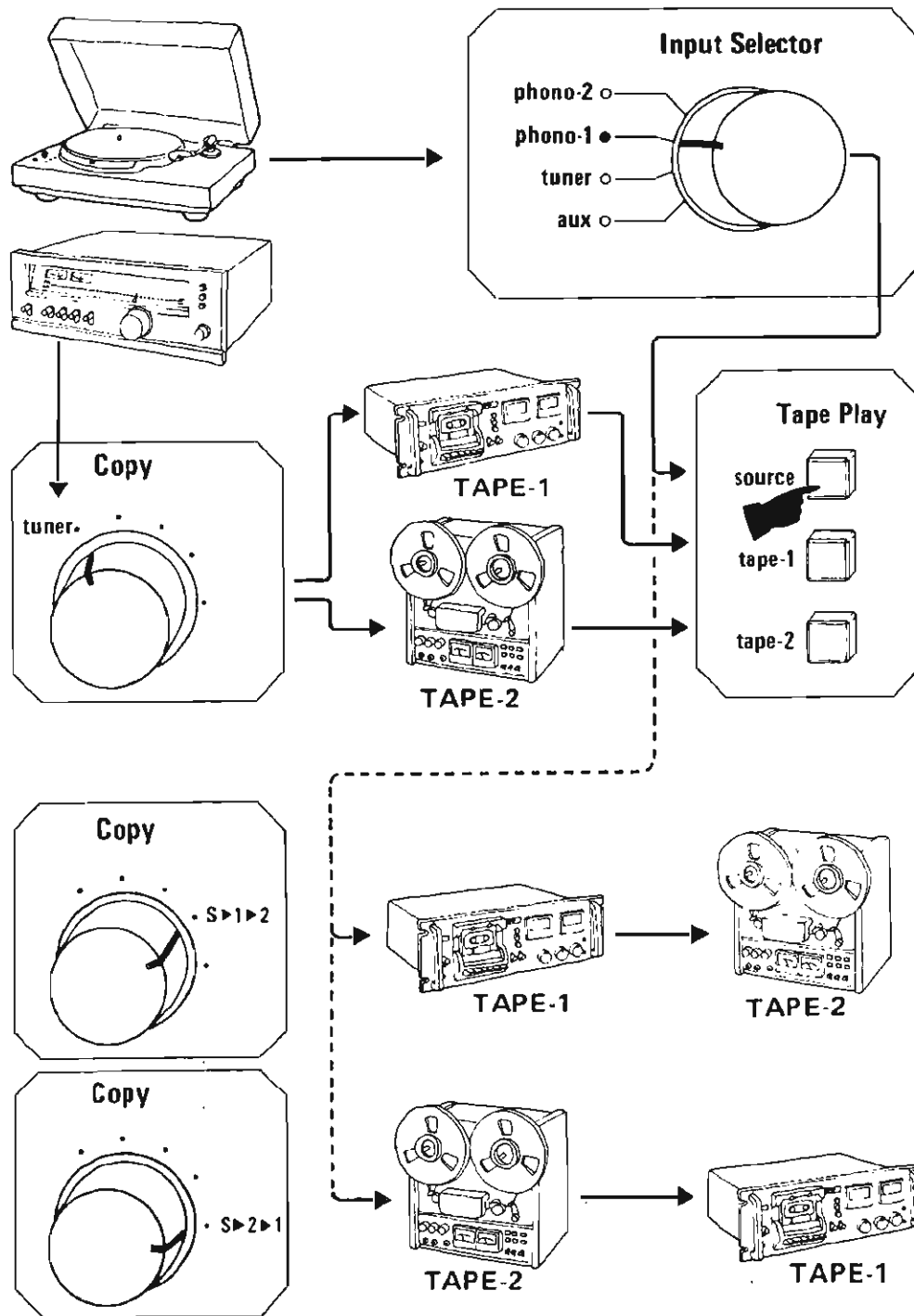
- \* Dirty heads in the tape deck deteriorate tonal quality and cause dropouts. Dirty capstans and pinch rollers increase wow and flutter.
- \* When a tape deck is used for a certain duration, heads can be magnetized and add, on playback, noise, bringing forth tonal degradation. Be sure to de-magnetize the heads from time to time on regular basis.
- \* Heads may be magnetized and information on tapes may be erased when subjected to magnets. Please take note.



## Recording disc records and radio broadcasts

Recording can be made on tape decks connected to the TAPE REC terminals.

1. Set the INPUT SELECTOR switch to the program source you want to record.
2. Set the TAPE COPY switch to SOURCE position.
3. Operate the connected tape deck (s) and start recording.
4. When desiring to monitor the recording – instant monitoring – push the TAPE PLAY “TAPE-1” or “TAPE-2” switch.
  - Monitoring is possible only with those decks which have three separate heads for record, playback and erasure. It's not possible with those with two heads, one for record/playback and one for erase; push the TAPE PLAY “SOURCE” switch and hear the signals that are to be recorded.
  - Whatever positions they are set at, the tone control and filter switch do not affect the quality of recorded signal.



## Recording radio broadcasts while listening to records

1. Set the INPUT SELECTOR switch to TUNER position, and the TAPE COPY switch to TUNER.
2. Control the tuner and tune in the desired station.
3. Operate the tape deck and start recording.
4. Set the INPUT SELECTOR switch to PHONO-1 or PHONO-2 position.
5. Operate the turntable and enjoy disc playback.
  - When you want to check if the proper recording is under way, push the TAPE PLAY "TAPE-1" (or "TAPE-2") switch; then the signals from the tuner are sent to the speakers through the deck.

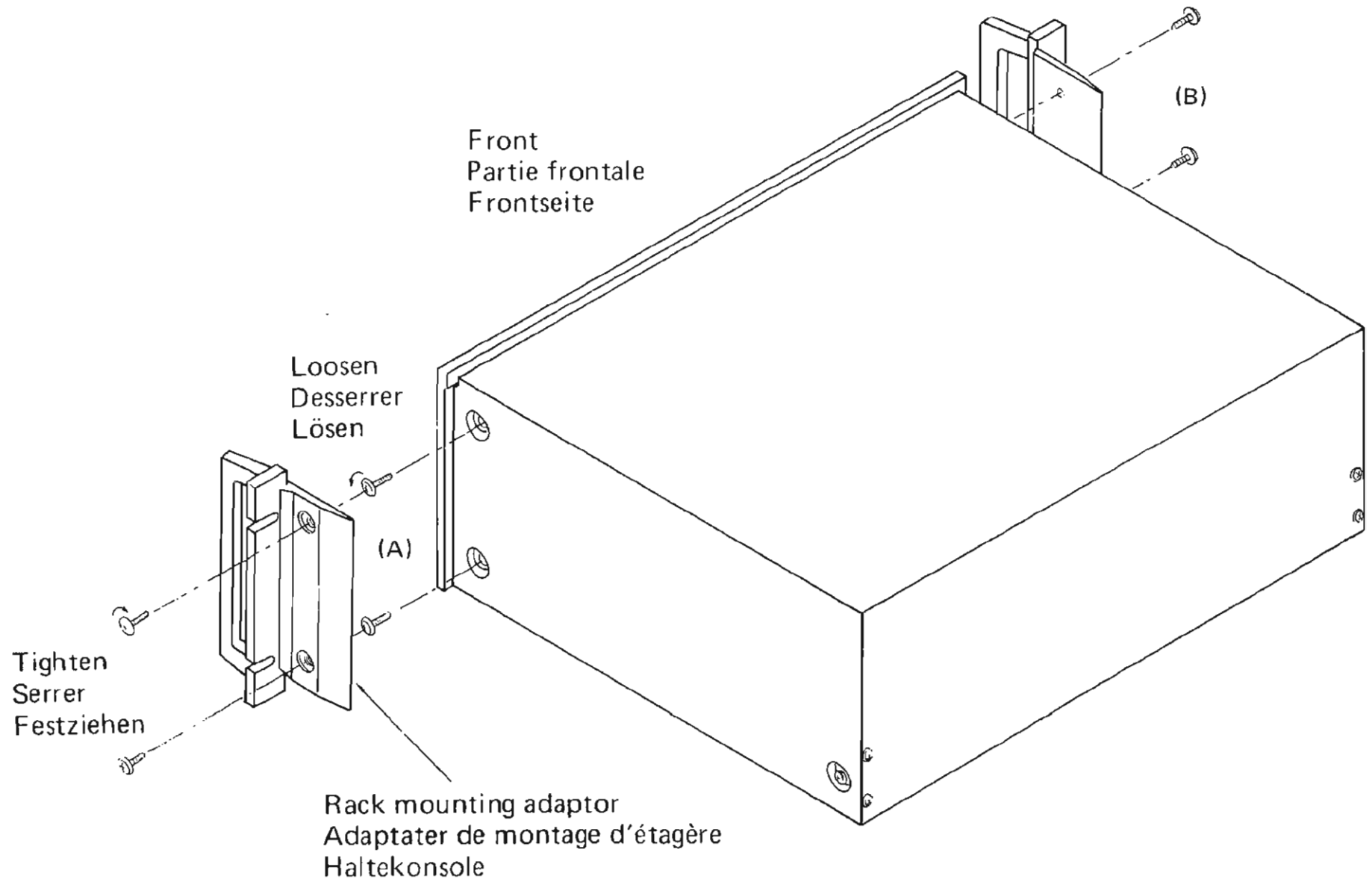
## Tape-to-tape dubbing

1. When dubbing from the TAPE-1 deck to the TAPE-2 deck, set the TAPE COPY switch to the "S ▶ 1 ▶ 2" position. When dubbing from the TAPE-2 deck to the TAPE-1 deck, set the TAPE COPY switch to the "S ▶ 2 ▶ 1" position. ("S" stands for "program source.")
2. Operate the connected tape decks as needed for proper dubbing.
3. To monitor the recording, push the TAPE PLAY "TAPE-1" or "TAPE-2" switch as occasion demands.
  - While dubbing is undertaken, you can hear the program source selected by the INPUT SELECTOR switch. When you want to hear records or broadcasts, push the TAPE PLAY "SOURCE" switch.

# About rack mounting adaptors

Remarques concernant les adaptateurs de montage d'étagères

Zu den Haltekonsole für die Regalmontage



**How to attach rack mounting adaptors.  
(see illustration)**

1. Remove screws (A) and (B) using a screwdriver.
2. Fasten the rack mounting adaptors with the four screws removed above.
  - Tighten all screws firmly.
  - The rack mounting adaptors are identical for the left and right sides.
  - The pitch of the rack mounting adaptors is in accordance with the EIA specifications.
  - When lifting the model up or transporting it from place to place, always carry it by its rack mounting adaptors attached at the left and right.
  - When mounting the model with rack mounting adaptors in the audio rack, be sure to anchor it with all four screws.

**Caution: Do NOT ever remove any screws other than those indicated as (A) and (B) in the illustration.**

**Comment attacher les adaptateurs de montage d'étagères (voir la figure)**

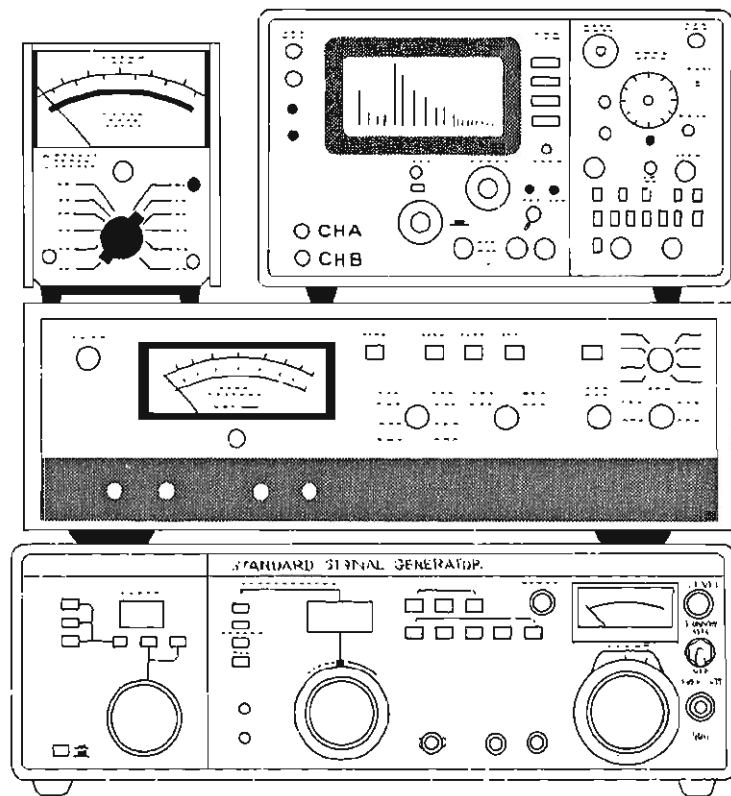
1. Enlever les vis (A) et (B) à l'aide d'un tournevis.
2. Fixer les adaptateurs de montage d'étagères en utilisant les quatre vis retirées dans la procédure ci-dessus.
  - Serrer toutes les vis fortement.
  - Les adaptateurs de montage d'étagères sont identiques pour les cotés droit et gauche.
  - Le pas des adaptateurs de montage d'étagères est conforme aux spécifications édictées par l'A.I.E.
  - Pour soulever ou transporter l'appareil, il faut toujours le tenir par ses adaptateurs de montage en étagère, prévus sur la gauche et la droite.
  - Lors de l'installation de l'appareil sur un rack à l'aide de ses adaptateurs de montage en étagère, veiller à le fixer avec ses quatre vis.

**Attention: Ne jamais enlever d'autres vis que celles désignées comme (A) et (B) dans la figure.**

**Anbringen der Haltekonsolen für die Regalmontage (siehe Abbildung)**

1. Die Schrauben (A) und (B) mit einem Schraubenzieher ausdrehen.
2. Die Haltekonsolen danach mit den vorhergehend ausgedrehten vier Schrauben befestigen.
  - Alle Schrauben richtig festziehen.
  - Die Haltekonsolen sind jeweils gleich für die linke und rechte Seite.
  - Die Steigung der Haltekonsolen entspricht der EIA – Norm.
  - Wenn das Gerät hochgehoben oder von einem Ort zum anderen transportiert wird, dieses stets an den Rack-Befestigungsadaptern, die rechts und links angebracht sind, halten.
  - Wird das Gerät mit den Rack-Befestigungsadaptern in das Audio-Rack eingebaut, sichergehen, daß es mit allen vier Schrauben verankert wird.

**Vorsicht: Niemals andere als die in der Abbildung mit (A) und (B) bezeichneten Schrauben ausdrehen.**



## Specifications

### Power output

Min. RMS, both channels driven, from 10 to 20,000 Hz, with no more than 0.015 % total harmonic distortion

90 watts per channel into 8 ohms

**Load impedance** . . . . . 8 ohms

**Total harmonic distortion** . . . . . less than 0.015 % at or below rated min. RMS power output

**Intermodulation distortion** (70 Hz : 7 kHz = 4:1 SMPTE method)  
 . . . . . less than 0.015 % at or below rated min. RMS power output

**Rise time** . . . . . 0.5  $\mu$ sec

**Slew rate** . . . . .  $\pm 170$  V/ $\mu$ sec

**Frequency response** (at 1 watt) . . . . . DC to 400,000 Hz  
 +0 dB -3 dB

**Damping factor** (1 kHz, both channels driven)  
 . . . . . 110 into 8 ohms

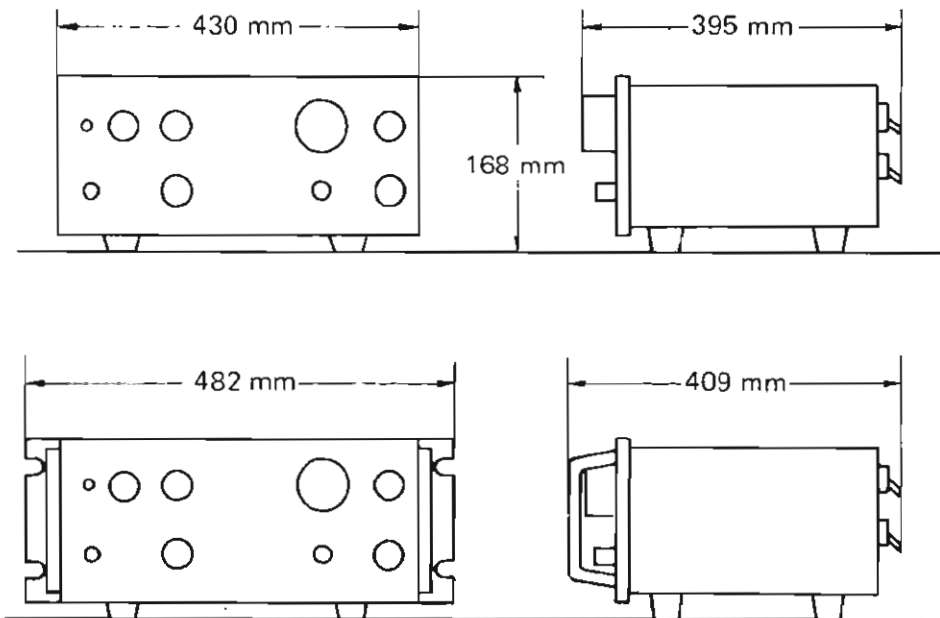
**RIAA curve deviation** (PHONO, 20 Hz to 20 kHz)  
 . . . . . +0.2 dB, -0.2 dB

**Input sensitivity and impedance** (1 kHz, for rated power output)  
 PHONO-1, 2 . . . . . 2.5 mV/47 kilohms  
 (Max. input capability; 230 mV at 1 kHz, less than 0.01 % total harmonic distortion)

AUX, TUNER, TAPE PLAY . . . . . 200 mV/47 kilohms

**Output level and impedance** (1,000 Hz)  
 TAPE REC . . . . . 200 mV into 47 kilohms/  
 600 ohms





**Channel separation (1 kHz, at rated power output)**

PHONO-1, 2 . . . . .	65 dB
AUX, TUNER, TAPE PLAY . . . . .	70 dB

**Hum and noise (short-circuit, A-network)**

PHONO-1, 2 . . . . .	88 dB
AUX, TUNER, TAPE PLAY . . . . .	100 dB

**Controls**

BASS . . . . .	± 10 dB (50 Hz)
Tone selector . . . . .	150 Hz, 300 Hz
TREBLE . . . . .	± 10 dB (15 kHz)
Tone selector . . . . .	3 kHz, 6 kHz
SUBSONIC . . . . .	-3 dB (16 Hz), 6 dB/oct
MUTING . . . . .	-20 dB
LOUDNESS (VOLUME control: -30 dB position)	
. . . . .	10 dB at 50 Hz
. . . . .	6 dB at 10 kHz

**Power requirements**

Power voltage . . . . .	100, 120, 220, 240 V (50/60 Hz)
For U.S.A. & Canada . . . . .	120 V (60 Hz)
Power consumption	
Rated consumption . . . . .	450 watts 530 VA

**Dimensions**

. . . . .	430 mm (16-15/16") W
. . . . .	168 mm (6-5/8") H
. . . . .	395 mm (15-9/16") D

**Weight**

. . . . .	16.0 kg (35.3 lbs) net
. . . . .	17.7 kg (39.0 lbs) packed

\* Design and specifications subject to changes without notice for improvements.

\* In order to simplify the explanation illustrations may sometimes differ from the originals.



SANSUI ELECTRIC CO., LTD.

14-1 Izumi 2-Chome, Suginami-ku, TOKYO 168, JAPAN

TELEPHONE: (03) 323-1111/TELEX. 232-2076

Printed in Japan (69M3) <92044900>